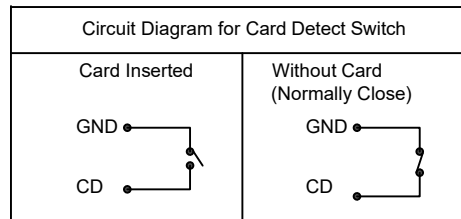


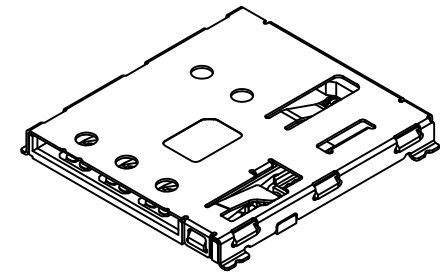
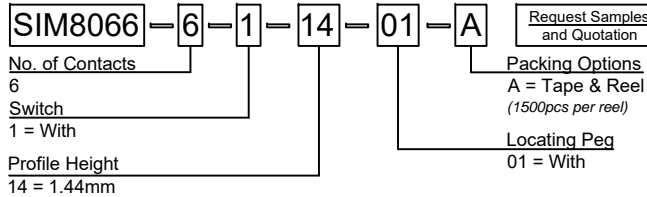
Recommended PCB Layout

(Viewed from Component Side - Tolerance:±0.05mm)

▨ Solder Area ▩ Keep Out Area □ Component Outline



Ordering Grid



Specifications

Material

- Housing&Slide : High Temperature Thermoplastic, UL94V-0, Black
- Contact Terminal: Copper Alloy
- Metallic Shell: Stainless Steel
- Spring: SWP-B
- Link: Stainless Steel

Plating

- Contact : Contact Area: Gold Flash over Nickel
- Soldering Tail: Gold Flash over Nickel
- Shell: Soldering Tail: Gold Flash over Nickel
- Spring&Link: Cleaning

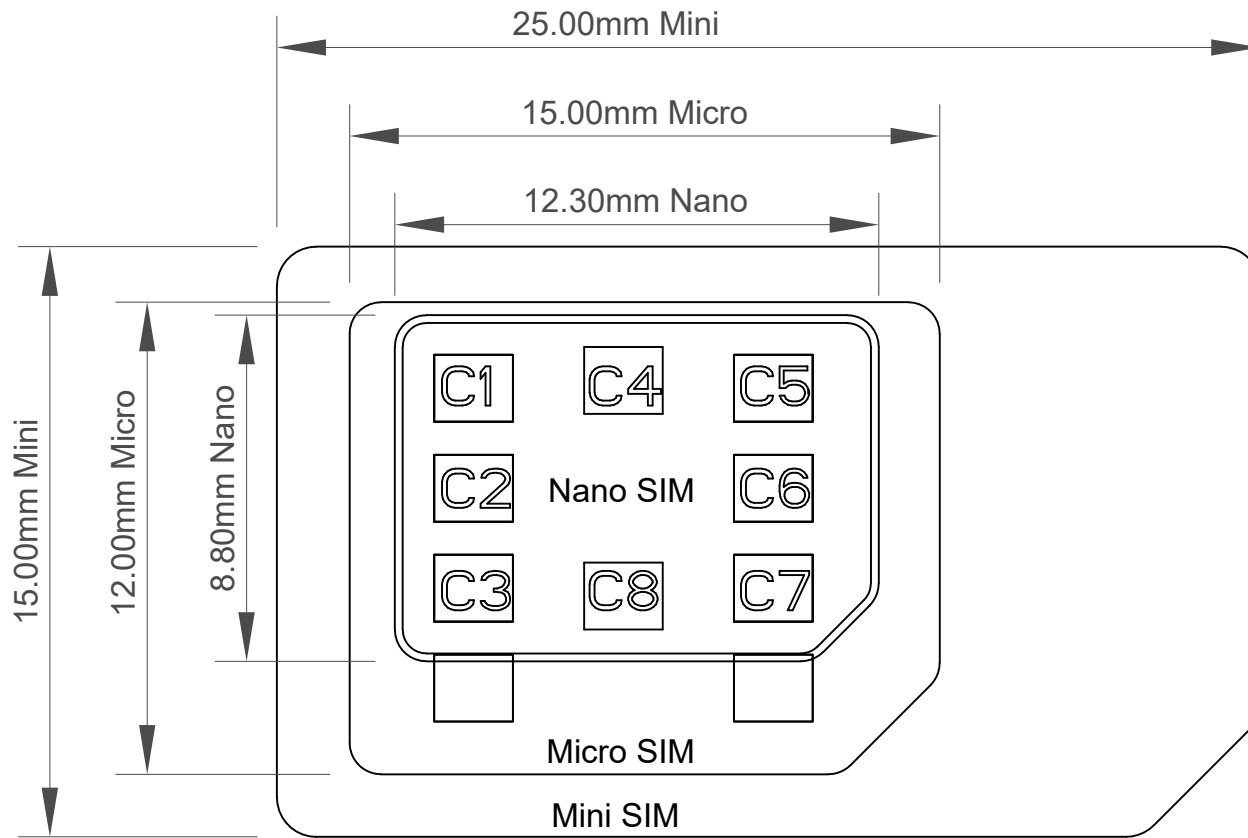
Electrical

- Voltage rating: 30V AC/DC
- Current Rating: 1.0 Amp AC/DC Max.
- Contact Resistance: Signal contact: 100 mΩ Max. CD to GND: 200 mΩ Max.
- Dielectric Withstanding Voltage:500V AC (60 Sec Min.)
- Insulation Resistance: 1000 MΩ Min.@500V DC

Mechanical & Environmental

- Operating Temperature: -40°C to +85°C
- Durability : 5,000 cycles

Part Number SIM8066		Product Description Nano SIM Card Connector Push-Push Type, SMT, 6Pin, 1.44mm Profile			
Drawing Date 19th March 2021					
By CC	Detail Drawing Release	Tolerances (Except as Noted) Length Angle	Units: Metric (mm)		This drawing is confidential and copyright of Global Connector Technology, Ltd (GCT). This drawing must not be copied or disclosed without written consent. E & OE
Revision A1	Date 22/09/21	X.X ± 0.30 X.XX ± 0.20 X.XXX ± 0.10	± 2°		
Not to Scale Drawn By CC		Sheet No. 1/3			

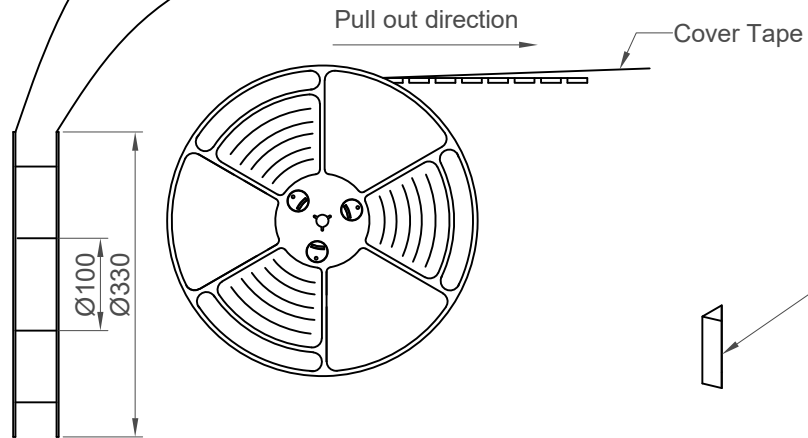
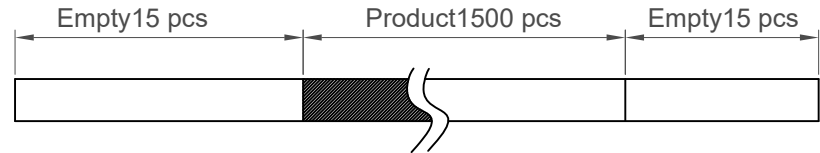
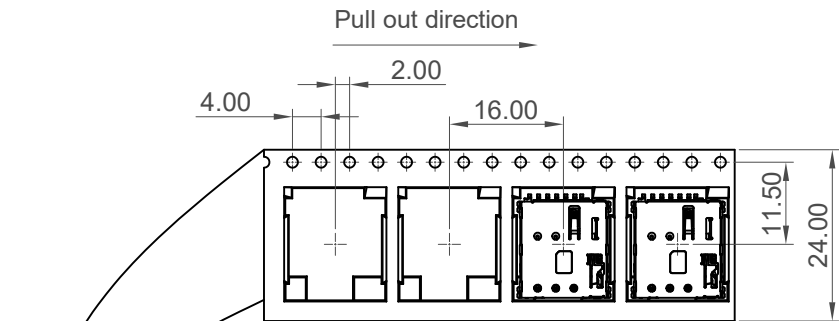


- C1----->VCC
- C2----->RST
- C3----->CLK
- C5----->GND
- C6----->Vpp
- C7----->I/O

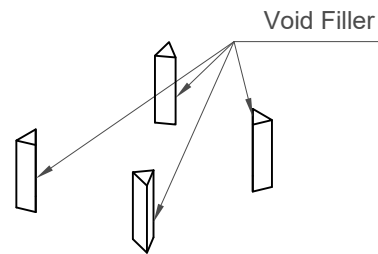
Reference

Part Number		Product Description				
SIM8066		Nano SIM Card Connector				
Drawing Date		Push-Push Type, SMT, 6Pin, 1.44mm Profile				
19th March 2021						
By	CC	Tolerances (Except as Noted)		Units:	 	
Detail	Drawing Release	Length	Angle	Metric (mm)		
Revision	A1	X.X ± 0.30		± 2°		
Date	22/09/21	X.XX ± 0.20				
		X.XXX ± 0.10				
				 3rd Angle Projection	 This drawing is confidential and copyright of Global Connector Technology, Ltd (GCT). This drawing must not be copied or disclosed without written consent. E & OE	
				Not to Scale	Drawn By CC	Sheet No. 2/3

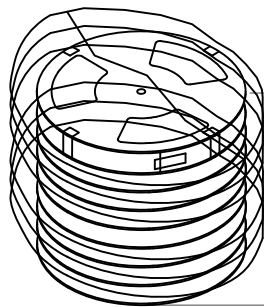
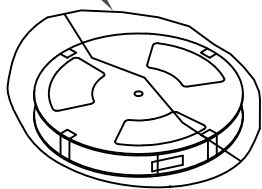




Pcs/Reel	Reels/Carton	Pcs/Carton
1500	10	15000

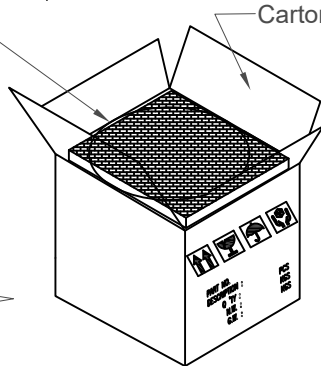


Vacuum Bag



10 Reels

PE Foam

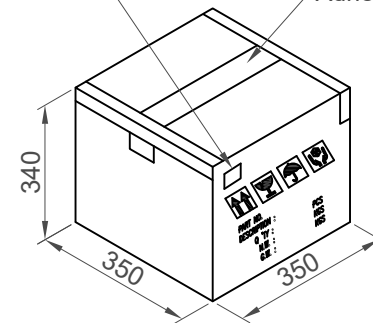


Carton

1500pcs x 10=15000pcs

Label

Adhesive Tape



Part Number		Product Description		
SIM8066		Nano SIM Card Connector		
Drawing Date		Push-Push Type, SMT, 6Pin, 1.44mm Profile		
19th March 2021				
By	CC	Tolerances (Except as Noted)	Units:	
Detail	Drawing Release	Length	Metric (mm)	
Revision	A1	X.X ± 0.30		
Date	22/09/21	X.XX ± 0.20		
		X.XXX ± 0.10	± 2°	

This drawing is confidential and copyright of Global Connector Technology, Ltd (GCT). This drawing must not be copied or disclosed without written consent. E & OE

GCT

www.gct.co

Not to Scale | Drawn By CC | Sheet No. 3/3